

# ED-HMI2002-070C

## 7.0-inch Industrial Panel PC Based on Raspberry Pi 4

- ◆ 7.0" TFT, resolution 1024x600, multi-point capacitive touch screen
- ◆ Broadcom BCM2711, quad-core Arm Cortex-A72(ARM v8) 64-bit SoC@1.5GHz
- ◆ Up to 8GB LPDDR4 RAM, 32GB or 64GB SD Card storage
- ◆ 1 x Gigabit ethernet port, 2 x USB 3.0, 2 x USB 2.0
- ◆ Dual 4Kp60 HDMI display output
- ◆ 5V DC power input via USB-C
- ◆ 8-megapixel front camera is optional
- ◆ Aluminum CNC + sheet metal case, fanless design, providing excellent cooling performance
- ◆ Embedded installation, compatible with VESA standard bracket installation



### Specifications

System	
CPU	Broadcom BCM2711, quad core Arm Cortex-A72 (ARM v8) 64-bit SoC@1.5GHz
VPU	H.265(HEVC), up to 4Kp60 decode H.264, up to 1080p60 decode, 1080p30 encode
GPU	OpenGL ES 3.1 & Vulkan 1.0
Memory	Options for 1GB, 2GB, 4GB, 8GB LPDDR4-3200 SDRAM
Storage	32GB and 64GB SD Card are optional

Software	
Operating System	<ul style="list-style-type: none"> <li>• Raspberry Pi OS(Desktop) 32-bit</li> <li>• Raspberry Pi OS(Lite) 32-bit</li> <li>• Raspberry Pi OS(Desktop) 64-bit</li> <li>• Raspberry Pi OS(Lite) 64-bit</li> </ul>

Front I/O	
Camera	Built-in 8-megapixel front camera(optional).

Side I/O	
USB 2.0	2 x USB 2.0 ports, dual layer type A connector, each channel supports up to 480Mbps.
USB 3.0	2 x USB 3.0 ports, dual layer type A connector, each channel supports up to 5Gbps.
1000M Ethernet	1 x adaptive 10/100/1000M ethernet port, RJ45 connector. It can be used to access the network.
SD Card Slot	1 x Micro SD card slot, which is used to install SD card. It supports booting the OS from SD card.
Audio	1 x Audio port, 3.5mm audio jack connector, 4-pole stereo audio.
HDMI	2 x HDMI ports, Micro HDMI connector, supporting 4K 60Hz.
Power	1 x power in port, USB Type-C connector, supporting 5V/3A DC power input.

Internal I/O	
PoE	1 x PoE port, reserving to connect PoE module.

LCD	
LCD Size	7.0" TFT
Resolution	1024 x 600
Colors	16.7MB
Active Area	154.21mm(H) x 85.92mm(V)
Backlight	LED
MTBF	>30000h
Luminance	400cd/m <sup>2</sup>
Contrast Ratio	800:1
Response Time	30ms
Viewing Angle (CR≥10)	85°(L)/85°(R)/85°(U)/85°(D)

Touch Screen	
Type	Multi-point Capacitive Touch Screen
Transmittance	≥85%
Connection Method	COF
Controller Interface	I2C
Driver Support	Linux
Multi-touch	10 points
Surface Hardness	6H

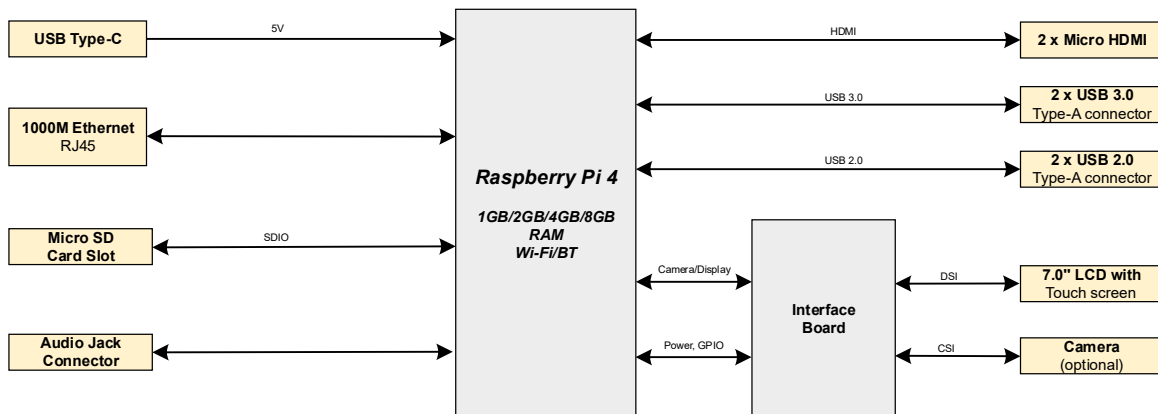
Electrical Characteristics	
Input Voltage	5V DC
Power Consumption	15W(Max)

Mechanical Characteristics	
Dimensions	188mm x 123mm x 39.5mm (WxDxH)
Weight	About 800g
Installation	Embedded front installation

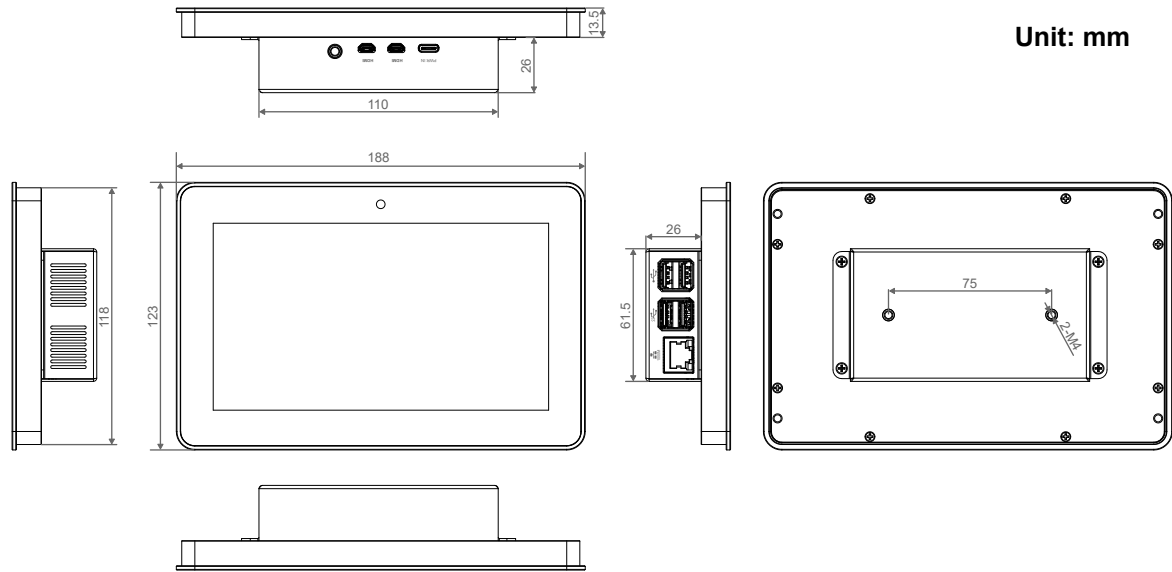
Wireless	
Wi-Fi	Dual-band 802.11ac Wi-Fi
Bluetooth	Bluetooth 5.0 / BLE

Environmental & Regulatory	
Operating Temperature	-20°C ~ 60°C
Storage Temperature	-25°C ~ 60°C
Ambient Humidity	5% ~ 95% (non-condensing)
Certifications	<ul style="list-style-type: none"> <li>• <b>FCC</b> FCC 47 CFR Part 15 Subpart B</li> <li>• <b>CE</b> EN IEC 62368-1/EN IEC 62311/EN IEC 61000-3-2/EN IEC 61000-3-3 EN 55032/EN 55035 EN 301 489-1/EN 301 489-3/EN 301 489-17/EN 301 489-52 EN 301 328/EN 301 440/EN 301 511/EN 301 908-1/EN 301 908-2</li> </ul>

## System Diagram

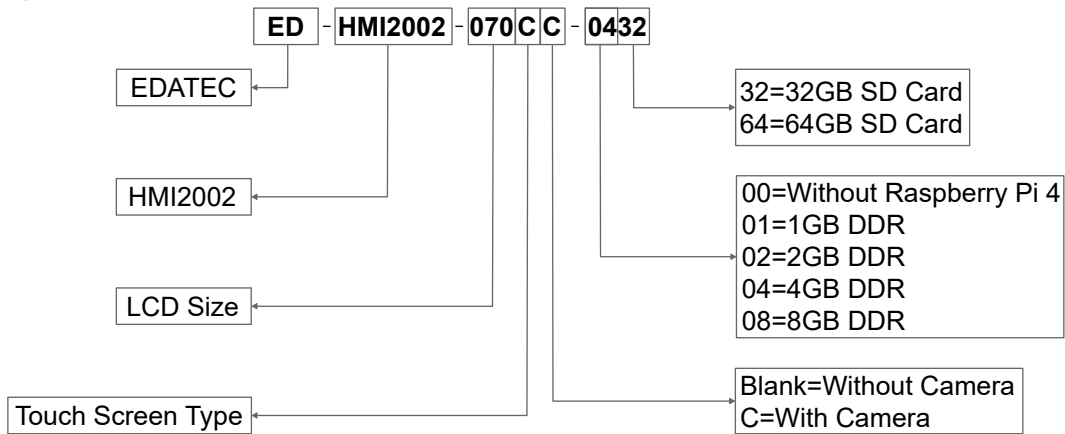


## Dimensions



Unit: mm

## Ordering Code



**Example**

P/N: **ED-HMI2002-070CC-0432**

Configuration: 7.0-inch Industrial Panel PC Based on Raspberry Pi 4, with 4GB DDR, Camera and 32GB SD card.

## Packing List

- 1 x ED-HMI2002-070C Unit
- 4 x buckles (including 4xM4\*8 screws and 4xM4\*16 screws)