

ED-HMI2002-101C

10.1-inch Industrial Panel PC Based on Raspberry Pi 4

- ◆ 10.1" TFT, resolution 1280x800, multi-point capacitive touch screen
- ◆ Broadcom BCM2711, quad-core Arm Cortex-A72(ARM v8) 64-bit SoC@1.5GHz
- ◆ Up to 8GB LPDDR4 RAM, 32GB or 64GB SD Card storage
- ◆ 1 x Gigabit ethernet port, 2 x USB 3.0, 2 x USB 2.0
- ◆ Dual 4Kp60 HDMI display output
- ◆ 5V DC power input via USB-C
- ◆ 8-megapixel front camera is optional
- ◆ Aluminum CNC + sheet metal case, fanless design, providing excellent cooling performance
- ◆ Embedded installation, compatible with VESA standard bracket installation



Specifications

| System | |
|---------|--|
| CPU | Broadcom BCM2711, quad core Arm Cortex-A72 (ARM v8) 64-bit SoC@1.5GHz |
| VPU | H.265(HEVC), up to 4Kp60 decode H.264, up to 1080p60 decode, 1080p30 encode |
| GPU | OpenGL ES 3.1 & Vulkan 1.0 |
| Memory | Options for 1GB, 2GB, 4GB, 8GB LPDDR4-3200 SDRAM |
| Storage | 32GB and 64GB SD Card are optional |

| Software | |
|------------------|--|
| Operating System | <ul style="list-style-type: none"> • Raspberry Pi OS(Desktop) 32-bit • Raspberry Pi OS(Lite) 32-bit • Raspberry Pi OS(Desktop) 64-bit • Raspberry Pi OS(Lite) 64-bit |

| Front I/O | |
|-----------|--|
| Camera | Built-in 8-megapixel front camera(optional). |

| Side I/O | |
|----------------|--|
| USB 2.0 | 2 x USB 2.0 ports, dual layer type A connector, each channel supports up to 480Mbps. |
| USB 3.0 | 2 x USB 3.0 ports, dual layer type A connector, each channel supports up to 5Gbps. |
| 1000M Ethernet | 1 x adaptive 10/100/1000M ethernet port, RJ45 connector. It can be used to access the network. |
| SD Card Slot | 1 x Micro SD card slot, which is used to install SD card. It supports booting the OS from SD card. |
| Audio | 1 x Audio port, 3.5mm audio jack connector, 4-pole stereo audio. |
| HDMI | 2 x HDMI ports, Micro HDMI connector, supporting 4K 60Hz. |
| Power | 1 x power in port, USB Type-C connector, supporting 5V/3A DC power input. |

| Internal I/O | |
|--------------|--|
| PoE | 1 x PoE port, reserving to connect PoE module. |

| LCD | |
|-----------------------|-----------------------------|
| LCD Size | 10.1" TFT |
| Resolution | 1280 x 800 |
| Colors | 16.7MB |
| Active Area | 216.576mm(H) x 135.36mm(V) |
| Backlight | LED |
| MTBF | >30000h |
| Luminance | 250cd/m ² |
| Contrast Ratio | 1000:1 |
| Response Time | 30ms |
| Viewing Angle (CR≥10) | 80°(L)/80°(R)/80°(U)/80°(D) |

| Touch Screen | |
|----------------------|-------------------------------------|
| Type | Multi-point Capacitive Touch Screen |
| Transmittance | ≥85% |
| Connection Method | COF |
| Controller Interface | I2C |
| Driver Support | Linux |
| Multi-touch | 10 points |
| Surface Hardness | 6H |

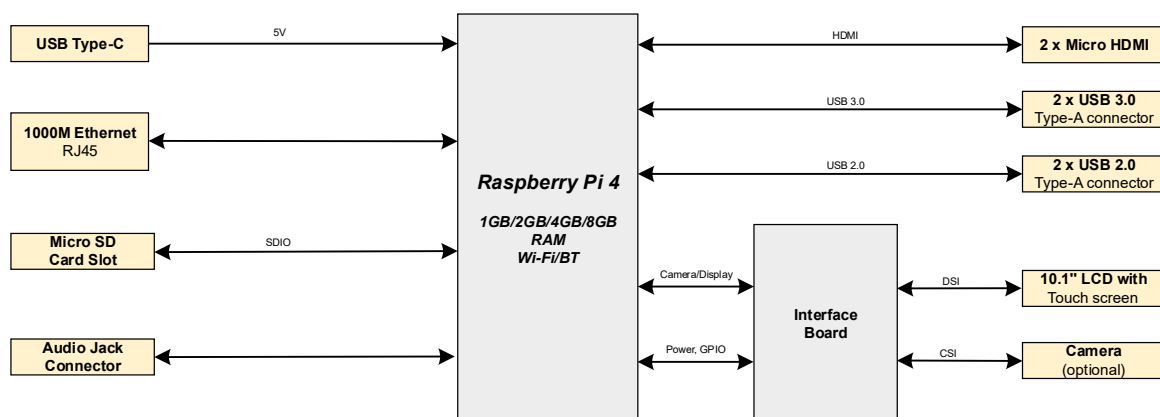
| Electrical Characteristics | |
|----------------------------|----------|
| Input Voltage | 5V DC |
| Power Consumption | 15W(Max) |

| Mechanical Characteristics | |
|----------------------------|--------------------------------|
| Dimensions | 258mm x 172mm x 38.5mm (WxDxH) |
| Weight | About 900g |
| Installation | Embedded front installation |

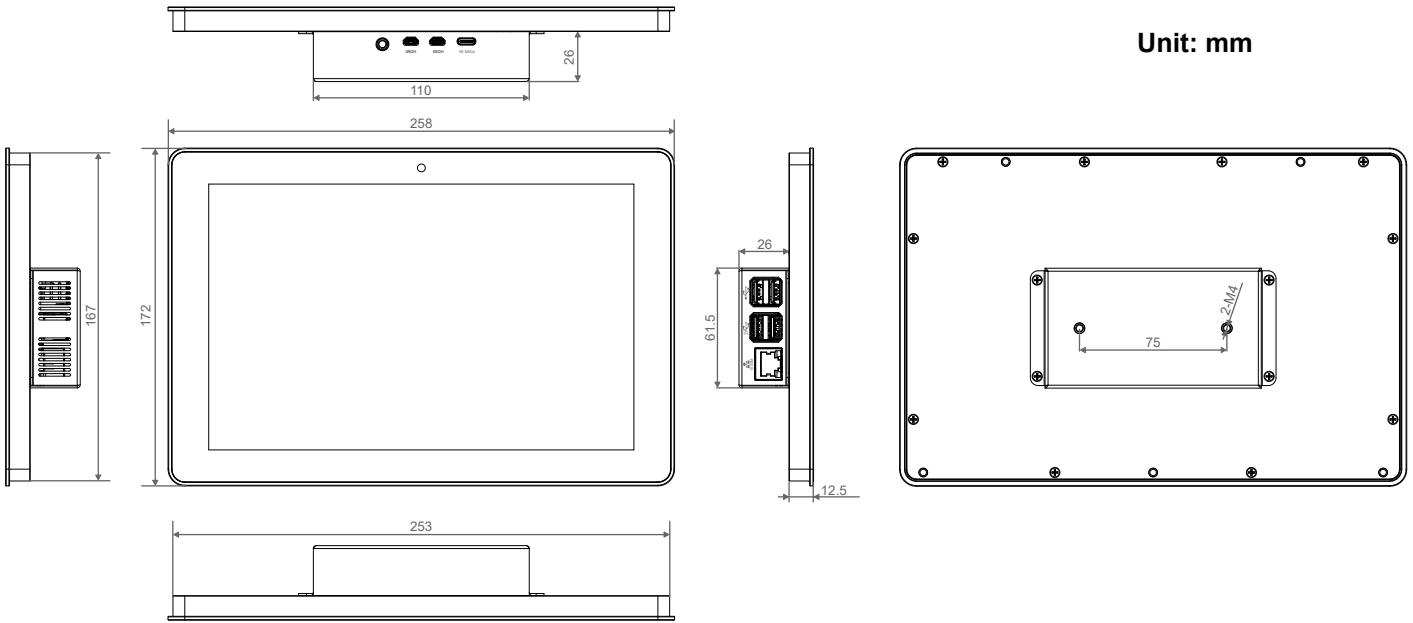
| Wireless | |
|-----------|--------------------------|
| Wi-Fi | Dual-band 802.11ac Wi-Fi |
| Bluetooth | Bluetooth 5.0 / BLE |

| Environmental & Regulatory | |
|----------------------------|---|
| Operating Temperature | -20°C ~ 60°C |
| Storage Temperature | -25°C ~ 60°C |
| Ambient Humidity | 5% ~ 95%(non-condensing) |
| Certifications | <ul style="list-style-type: none"> • FCC FCC 47 CFR Part 15 Subpart B • CE EN IEC 62368-1/EN IEC 62311/EN IEC 61000-3-2/EN IEC 61000-3-3 EN 55032/EN 55035 EN 301 489-1/EN 301 489-3/EN 301 489-17/EN 301 489-52 EN 301 328/EN 301 440/EN 301 511/EN 301 908-1/EN 301 908-2 |

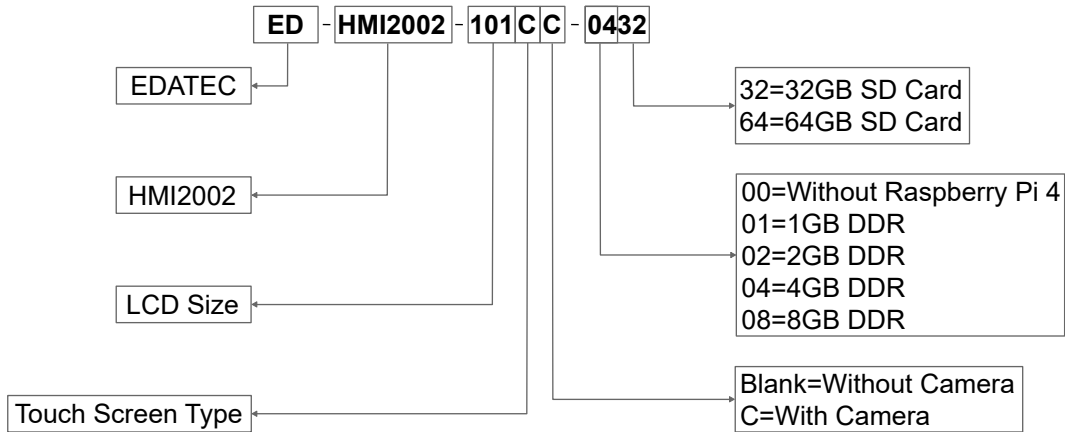
System Diagram



Dimensions



Ordering Code



Example
 P/N: **ED-HMI2002-101CC-0432**
 Configuration: 10.1-inch Industrial Panel PC Based on Raspberry Pi 4, with 4GB DDR, Camera and 32GB SD card.

Packing List

- 1 x ED-HMI2002-101C Unit
- 4 x buckles (including 4xM4*8 screws and 4xM4*16 screws)