

ED-DISP4-101C

10.1-inch LCD Touch Screen for Raspberry Pi 4

- ◆ 10.1" TFT, resolution 1280x800, multi-point capacitive touch screen
- ◆ Optional 8-megapixel front camera
- ◆ Following Raspberry Pi HAT mechanical specification, Raspberry Pi 4 can be installed directly on the back of LCD
- ◆ Powered from Raspberry Pi 4, no separate power supply needed
- ◆ CAM and DISP ports, easy to install with simple wiring to Raspberry Pi 4
- ◆ Aluminum CNC + sheet metal case, providing excellent reliability
- ◆ Embedded installation, simple and beautiful



Specifications

Front I/O	
Camera	Built-in 8-megapixel front camera(optional).

Rear I/O	
CAM	1 x CAM port, FPC connector, which is used to connect to CAMERA port on Raspberry Pi 4.
DISP	1 x DISP port, FPC connector, which is used to connect to CAMERA port on Raspberry Pi 4.
Power	1 x power in, 3-Pin WTB connector, the signal is defined as 5V/GND/TP_INT. It's used to connect the corresponding pins of 40-Pin on Raspberry Pi 4.

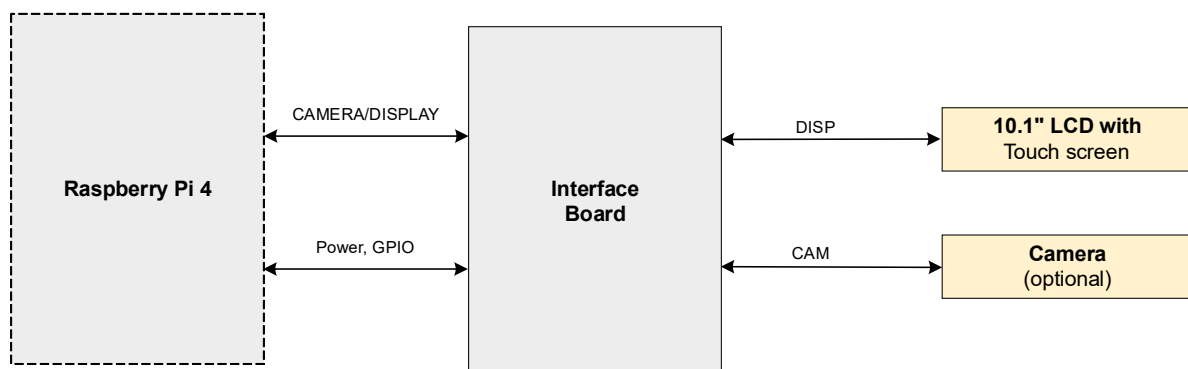
LCD	
LCD Size	10.1" TFT
Resolution	1280 x 800
Colors	16.7MB
Active Area	216.576mm(H) x 135.36mm(V)
Backlight	LED
MTBF	>30000h
Luminance	250cd/m ²
Contrast Ratio	1000:1
Response Time	30ms
Viewing Angle (CR≥10)	80°(L)/80°(R)/80°(U)/80°(D)

Touch Screen	
Type	Multi-point Capacitive Touch Screen
Transmittance	≥85%
Connection Method	COF
Controller Interface	I2C
Driver Support	Linux
Multi-touch	10 points
Surface Hardness	6H

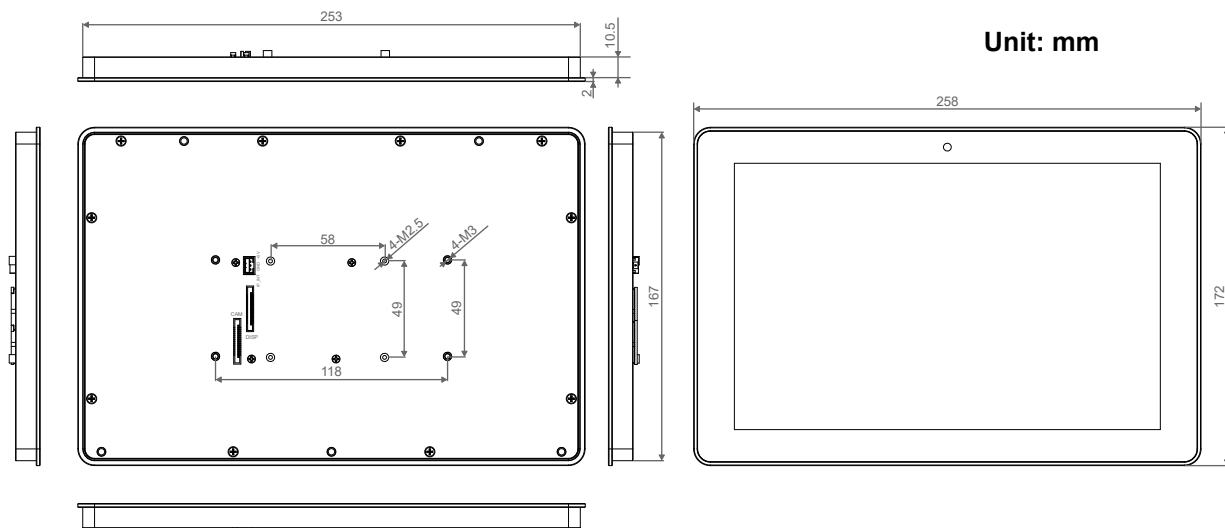
Mechanical Characteristics	
Dimensions	258mm x 172mm x 12.5mm (WxDxH)
Weight	About 500g
Installation	Embedded front installation

Environmental & Regulatory	
Operating Temperature	-20°C ~ 60°C
Storage Temperature	-25°C ~ 60°C
Ambient Humidity	5% ~ 95%(non-condensing)
Certifications	<ul style="list-style-type: none"> • FCC FCC 47 CFR Part 15 Subpart B • CE EN IEC 62368-1/EN IEC 62311/EN IEC 61000-3-2/EN IEC 61000-3-3 EN 55032/EN 55035/ EN 301 489-1/EN 301 489-3/EN 301 489-17/EN 301 489-52 EN 301 328/EN 301 440/EN 301 511/EN 301 908-1/EN 301 908-2

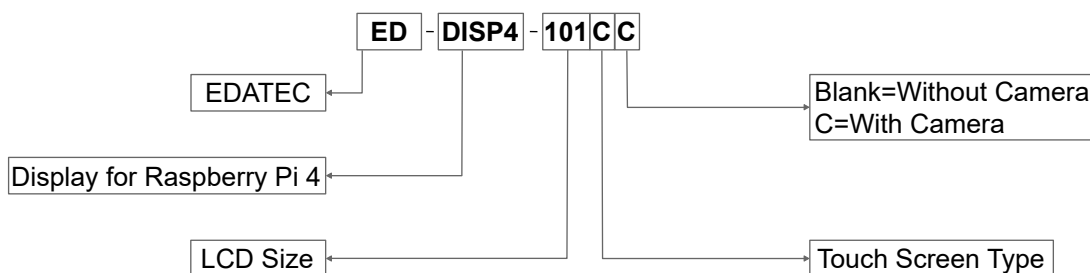
System Diagram



Dimensions



Ordering Code



Example
P/N: **ED-DISP4-101CC**
Configuration: 10.1-inch LCD Touch Screen for Raspberry Pi 4, with Camera.

Packing List

- 1 x ED-DISP4-101C
- 4 x buckles (including 4xM4*8 screws and 4xM4*16 screws)